

Test Report

Report No.: CQASZ20180400028EW-05

Test Description: Bluetooth Profile Interoperability Test Report for GAVDP
Product/Design Name: 1MORE Triple Driver BT In-Ear Headphones
Product/Design ID: E1001BT
Trademark: 1MORE
Applicant: 1MORE Shen Zhen Acoustic Technology Co., Ltd.
Manufacturer: 1MORE Shen Zhen Acoustic Technology Co., Ltd.
Test Specification: Bluetooth Profile Specification Version 1.3 – Generic Audio/Video Distribution Profile (GAVDP)
Bluetooth Generic Audio/Video Distribution Profile (GAVDP)
Test Specification: GAVDP.TS.1.3.0



Test Report Prepared by.....
Test Engineer Aaron Wu



Test Report Reviewed by.....
Test Reviewer Owen Zhou

Bluetooth[®] Profile Interoperability Test Report

The Bluetooth® word mark and logos are registered trademarks owned by Bluetooth SIG, Inc. and any use of such marks by CQA is under license. Other trademarks and trade names are those of their respective owners.

Index

1	General Information.....	3
1.1	General.....	3
1.1.1	Administrative data of Test Facility	3
1.1.2	Administrative data of Applicant.....	4
1.1.3	Administrative data of EUT Manufacturer	4
1.2	Description of EUT.....	5
2	Summary List of All Test Cases	6
3	Profile Testing.....	7
3.1	Description of Test Set-up	7
3.2	List of Performed Test Cases	8
3.3	Referenced Documents	9
3.4	Additional Information	9
3.5	Test Sample Information.....	9
3.6	List of Test Equipments	9
Annex 1	Profile Implementation Conformance Statement.....	10
	Role Declaration	10
	Role Declaration	10
	Application Feature.....	11
	Application Feature.....	11
Annex 2	Test plan generated by launch studio	12



1 General Information

1.1 General

1.1.1 Administrative data of Test Facility

Test Facility: Shenzhen Huaxia Testing Technology Co., Ltd

Test Facility Address: 1F., Block A of Tongsheng Technology Building, Huahui Road, Dalang Street, Longhua District, Shenzhen, China

Phone Number: 86-755-26648642

Fax: +86-755-26648637

Email: Owen.zhou@cqa-cert.com

Contact Person: Mr. Owen Zhou



1.1.2 Administrative data of Applicant

Applicant: 1MORE Shen Zhen Acoustic Technology Co., Ltd.

Applicant Address: Tianliao Building 1403-1411, Zone A Tianliao Industrial Park, Taoyuan Street, Nanshan District, Shenzhen, P.R. China

Responsible Person: Mrs. He

Phone Number : 13242075433

Fax :

Email : xiao.he<xiao.he@tiinlab.com.cn>

1.1.3 Administrative data of EUT Manufacturer

EUT Manufacturer: 1MORE Shen Zhen Acoustic Technology Co., Ltd.

Manufacturer Address: Tianliao Building 1403-1411, Zone A Tianliao Industrial Park, Taoyuan Street, Nanshan District, Shenzhen, P.R. China

Responsible Person: Mrs. He

Phone Number : 13242075433

Fax :

Email : xiao.he<xiao.he@tiinlab.com.cn>

1.2 Description of EUT

Product name: 1MORE Triple Driver BT In-Ear Headphones

Product description: 1MORE Triple Driver BT In-Ear Headphones

Product ID/Model: E1001BT

Hardware Version: v1.0

Software Version: v1.0

Photos of Product:



2 Summary List of All Test Cases

Profile: GAVDP

Role: Initiator

Acceptor

For Initiator role

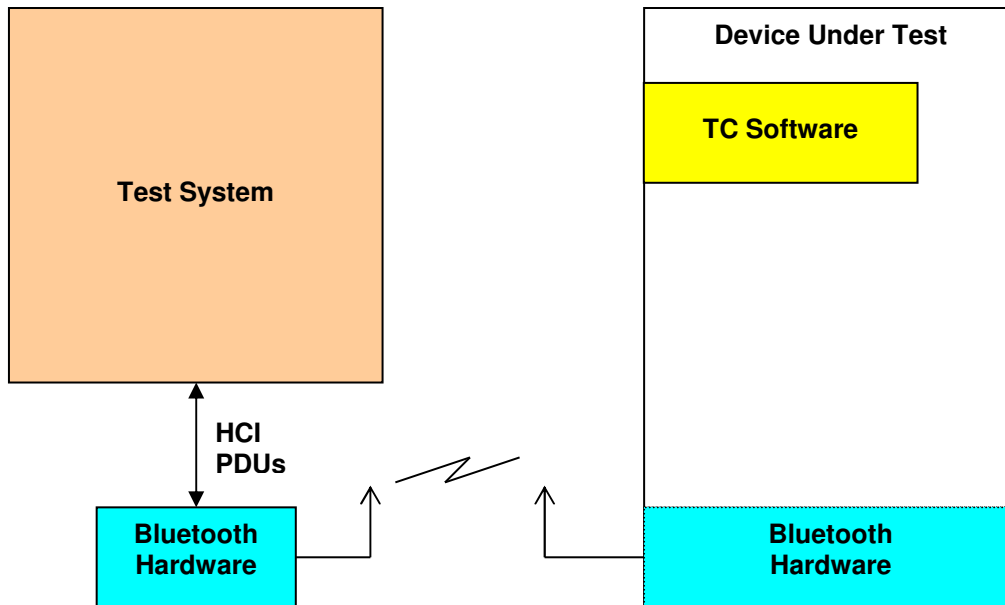
Interoperability Test Specification				
No	TC identifier	Description	Verdict	Comments
1	TP/APP/CON/BV-01-C	Verify that the IUT (INT) requests the ACP to establish a stream connection further to an internal event or user action.	N/A	
2	TP/APP/TRC/BV-01-C	Verify that after a stream is established but not initiated, the IUT (INT) changes the application service parameters by a user action or an internal event.	N/A	
3	TP/APP/TRC/BV-02-C	To verify that it is possible to suspend streaming by a user action or an internal event.	N/A	

For Acceptor role

Interoperability Test Specification				
No	TC identifier	Description	Verdict	Comments
1	TP/APP/CON/BV-01-C	Verify that the IUT (INT) requests the ACP to establish a stream connection further to an internal event or user action.	Pass	Refer to PTS
2	TP/APP/TRC/BV-01-C	Verify that after a stream is established but not initiated, the IUT (INT) changes the application service parameters by a user action or an internal event.	N/A	
3	TP/APP/TRC/BV-02-C	To verify that it is possible to suspend streaming by a user action or an internal event.	Pass	Refer to PTS

3 Profile Testing

3.1 Description of Test Set-up



The Test System PTS for Bluetooth is running on a PC System.

The test system communicates with the Bluetooth Hardware via an HCI connection.

The tests are performed as remote tests and all communication between the Test System and the DUT is done via the radio interface.



3.2 List of Performed Test Cases

Profile: GAVDP

Role: Initiator

Acceptor

For Acceptor role

TC-Identifier	Final Verdict	Date of Test
TP/APP/CON/BV-01-C	Pass	2018-06-27
TP/APP/TRC/BV-02-C	Pass	2018-06-27

3.3 Referenced Documents

Document Name	Version	Issue Date
Generic Audio/Video Distribution Profile	V1.3	24 Jul 2012
Generic Audio/Video Distribution Profile (GAVDP) 1.0 - 1.3 Test Suite Structure (TSS) and Test Purposes (TP)	GAVDP.TS/1.3.1	13 Dec 2016
Profile ICS Proforma for Generic Audio/Video Distribution Profile (GAVDP) 1.0-1.3	GAVDP.ICS/1.3.1	18 Jul 2017
Test Case Reference List	2017-2	19 Dec 2017

3.4 Additional Information

The test results presented in this test report apply only to the particular implementation under test (IUT) Declared in clause 1.2 of this report, for the functionality described in the relevant Protocol Implementation Statement (PICS), as presented for test on the date(s) declared in the relevant Protocol Implementation Extra Information for testing (PIXIT).

This test report does not constitute or imply, by its own, to be an approval of the product by Qualification Bodies, Certification Bodies or competent Authorities.

This document is only valid if complete; no partial reproduction can be made without written approval of the Test Laboratory.

This test report cannot be used partially or in full publicity and/or promotional purposes without previous written approval of the Test Laboratory.

Abbreviations in this report:

OK, Pass, P	=	passed
F	=	failed
N/A	=	not applicable
NT	=	not tested
EUT	=	equipment under test

3.5 Test Sample Information

The following sample was used for testing.

Sample No	Serial No/BT address	Date Of Reception
SZCR180617-01	67564534571E	2018-06-17

3.6 List of Test Equipments

Profile Tuning Suite: PTS v. 7.1.1
GAVDP-ETS v. 10.1.1.8

EZURIO 4.0 PTS Dongle

Annex 1 Profile Implementation Conformance Statement

Role Declaration

Table 0: Profile Version

Support	Item	Capability	System Spec Reference	Status	Comment
<input type="checkbox"/>	0/1	GAVDP 1.0	GAVDP 1.0	C.1	C.1: Mandatory to support only one Profile version.
<input type="checkbox"/>	0/4	This item is intentionally left blank			
<input type="checkbox"/>	0/2	GAVDP 1.2	GAVDP 1.2	C.1	C.1: Mandatory to support only one Profile version.
<input checked="" type="checkbox"/>	0/3	GAVDP 1.3	GAVDP 1.3	C.1	C.1: Mandatory to support only one Profile version.

Role Declaration

Table 1: Roles

Support	Item	Capability	System Spec Reference	Status	Comment
<input type="checkbox"/>	1/1	Initiator	2.2	C.1	C.1: It is Mandatory to support at least One of the defined roles.
<input checked="" type="checkbox"/>	1/2	Acceptor	2.2	C.1	C.1: It is Mandatory to support at least One of the defined roles.
<input checked="" type="checkbox"/>	1/3	Delay Reporting Initiator	4.1.1	C.2	C.2: Optional if 0/3 is supported, otherwise Excluded.
<input type="checkbox"/>	1/4	Delay Reporting Acceptor	4.1.1	C.2	C.2: Optional if 0/3 is supported, otherwise Excluded.



Application Feature

Table 2: GAVDP Procedures (Initiator)

Support	Item	Capability	System Spec Reference	Status	Comment
<input type="checkbox"/>	2/1	Connection Establishment	4.1.1	M	
<input type="checkbox"/>	2/2	Transfer Control - Suspend	4.1.4	O	
<input type="checkbox"/>	2/3	Transfer Control - Change Parameters	4.1.5	O	
<input type="checkbox"/>	2/4	Start Streaming	4.1.2	M	
<input type="checkbox"/>	2/5	Connection Release	4.1.3	M	
<input type="checkbox"/>	2/6	Signaling Control - Abort	4.1.6	M	
<input type="checkbox"/>	2/7	Security Control	4.1.7	O	
<input type="checkbox"/>	2/8	Delay Reporting	4.1.8	C.1	C.1: Optional if 0/3 is supported, otherwise Excluded.

Application Feature

Table 3: GAVDP Procedures (Acceptor)

Support	Item	Capability	System Spec Reference	Status	Comment
<input checked="" type="checkbox"/>	3/1	Connection Establishment	4.1.1, 4.1.2 4.1.3	M	
<input checked="" type="checkbox"/>	3/2	Transfer Control - Suspend	4.1.4	O	
<input type="checkbox"/>	3/3	Transfer Control - Change Parameters	4.1.5	O	
<input checked="" type="checkbox"/>	3/4	Start Streaming	4.1.2	M	
<input checked="" type="checkbox"/>	3/5	Connection Release	4.1.3	M	
<input checked="" type="checkbox"/>	3/6	Signaling Control - Abort	4.1.6	M	
<input type="checkbox"/>	3/7	Security Control	4.1.7	O	
<input type="checkbox"/>	3/8	Delay Reporting	4.1.8	C.1	C.1: Optional if 0/3 is supported, otherwise Excluded.



Annex 2 Test plan generated by launch studio

GAVDP.TS.1.3.1			
Test Case ID	Legacy Test Case ID	Test Case Description	Test Case Category
TP/APP/CON/BV-01-C	TP/APP/CON/BV-01-C	Verify that the IUT (INT) requests the ACP to establish a stream connection further to an internal event or user action.	ACP IUT:A;INT IUT:A
TP/APP/TRC/BV-02-C	TP/APP/TRC/BV-02-C	To verify that it is possible to suspend streaming by a user action or an internal event.	ACP IUT:A;INT IUT:A