

Test Report

Report No.: CQASZ170701322EW-05

Test Description: Bluetooth Profile Interoperability Test Report for GAVDP
Product/Design Name: 1MORE iBFree Sport Bluetooth In-Ear Headphones
Product/Design ID: E1018BT; E1002; E1003; E1009
Trademark: 1MORE
Applicant: 1MORE Shen Zhen Acoustic Technology Co., Ltd.
Manufacturer: 1MORE Shen Zhen Acoustic Technology Co., Ltd.
Test Specification: Bluetooth Profile Specification Version 1.3 – Generic Audio/Video Distribution Profile (GAVDP)
Bluetooth Generic Audio/Video Distribution Profile (GAVDP)
Test Specification: GAVDP.TS.1.3.0



Test Report Prepared by.....

Test Engineer Aaron Wu



Test Report Reviewed by.....

Test Reviewer Owen Zhou

Bluetooth[®] Profile Interoperability Test Report

The Bluetooth[®] word mark and logos are registered trademarks owned by Bluetooth SIG, Inc. and any use of such marks by CQA is under license. Other trademarks and trade names are those of their respective owners.

Index

1	General Information.....	3
1.1	General.....	3
1.1.1	Administrative data of Test Facility	3
1.1.2	Administrative data of Applicant.....	4
1.1.3	Administrative data of EUT Manufacturer	4
1.2	Description of EUT.....	5
2	Summary List of All Test Cases	6
3	Profile Testing.....	7
3.1	Description of Test Set-up	7
3.2	List of Performed Test Cases	8
3.3	Referenced Documents	9
3.4	Additional Information	9
3.5	Test Sample Information.....	9
3.6	List of Test Equipments	9
Annex 1	Profile Implementation Conformance Statement.....	10
Annex 2	Test plan generated by TPG	12



1 General Information

1.1 General

1.1.1 Administrative data of Test Facility

Test Facility: Shenzhen Huaxia Testing Technology Co., Ltd

Test Facility Address: 1F., Block A of Tongsheng Technology Building, Huahui Road, Dalang Street, Longhua District, Shenzhen, China

Phone Number: 86-755-26648642

Fax: +86-755-26648637

Email: Owen.zhou@cqa-cert.com

Contact Person: Mr. Owen Zhou



1.1.2 Administrative data of Applicant

Applicant: 1MORE Shen Zhen Acoustic Technology Co., Ltd.

Applicant Address: Tianliao Building 1403-1411, Zone A Tianliao Industrial Park, Taoyuan Street, Nanshan District, Shenzhen, P.R. China

Responsible Person: Sunny Sun

Phone Number: +86 181 2885 7892

Fax:

Email : sunny.sun@1more.com

1.1.3 Administrative data of EUT Manufacturer

EUT Manufacturer: 1MORE Shen Zhen Acoustic Technology Co., Ltd.

Manufacturer Address: Tianliao Building 1403-1411, Zone A Tianliao Industrial Park, Taoyuan Street, Nanshan District, Shenzhen, P.R. China

Responsible Person: Sunny Sun

Phone Number: +86 181 2885 7892

Fax:

Email: sunny.sun@1more.com

1.2 Description of EUT

Product name: 1MORE iBFree Sport Bluetooth In-Ear Headphones

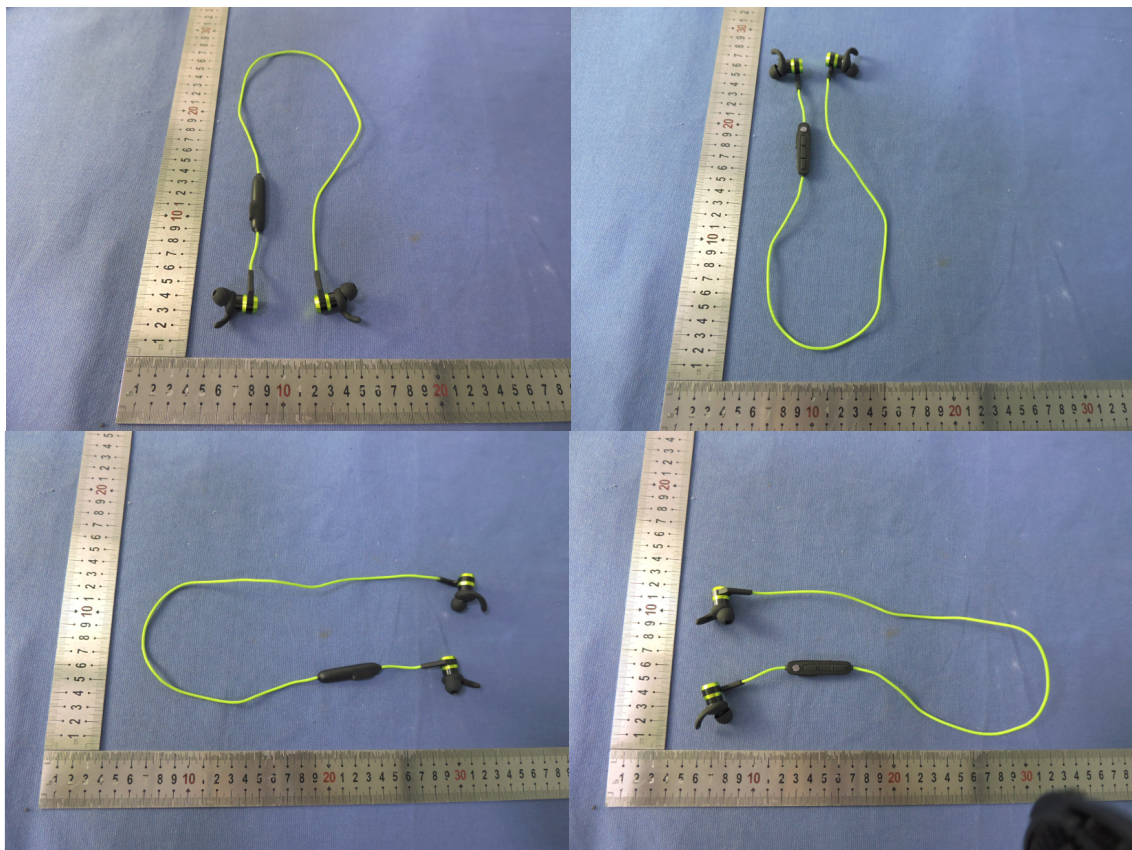
Product description: 1MORE iBFree Sport Bluetooth In-Ear Headphones

Product ID/Model: E1018BT; E1002; E1003; E1009

Hardware Version: V3.0

Software Version: V1.0

Photos of Product:



2 Summary List of All Test Cases

Profile: GAVDP

Role: Initiator

Acceptor

For Initiator role

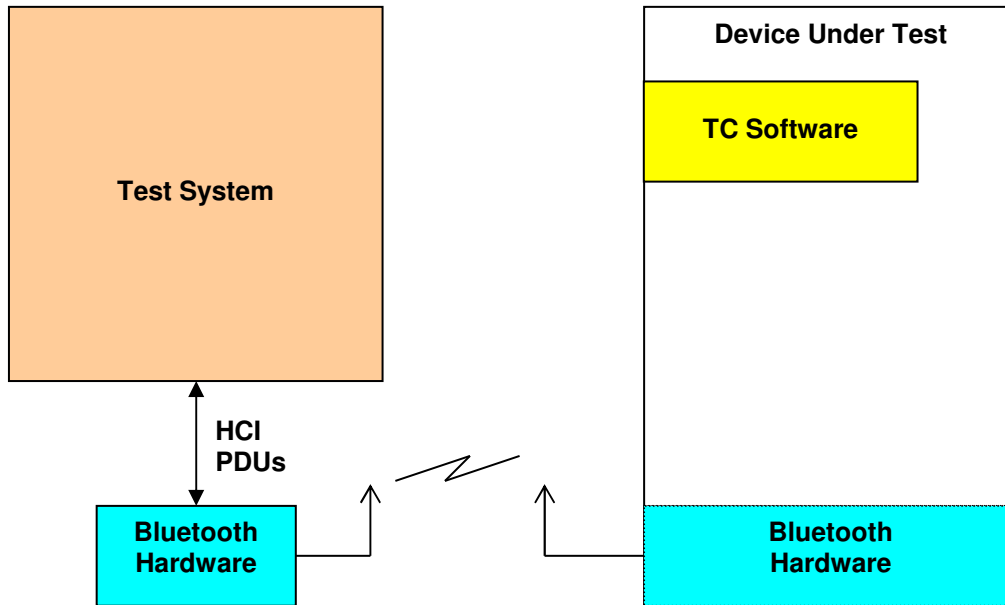
Interoperability Test Specification				
No	TC identifier	Description	Verdict	Comments
1	TP/APP/CON/BV-01-C	Verify that the IUT (INT) requests the ACP to establish a stream connection further to an internal event or user action.	N/A	
2	TP/APP/TRC/BV-01-C	Verify that after a stream is established but not initiated, the IUT (INT) changes the application service parameters by a user action or an internal event.	N/A	
3	TP/APP/TRC/BV-02-C	To verify that it is possible to suspend streaming by a user action or an internal event.	N/A	

For Acceptor role

Interoperability Test Specification				
No	TC identifier	Description	Verdict	Comments
1	TP/APP/CON/BV-01-C	Verify that the IUT (INT) requests the ACP to establish a stream connection further to an internal event or user action.	Pass	Refer to PTS
2	TP/APP/TRC/BV-01-C	Verify that after a stream is established but not initiated, the IUT (INT) changes the application service parameters by a user action or an internal event.	N/A	
3	TP/APP/TRC/BV-02-C	To verify that it is possible to suspend streaming by a user action or an internal event.	Pass	Refer to PTS

3 Profile Testing

3.1 Description of Test Set-up



The Test System PTS for Bluetooth is running on a PC System.

The test system communicates with the Bluetooth Hardware via an HCI connection.

The tests are performed as remote tests and all communication between the Test System and the DUT is done via the radio interface.



3.2 List of Performed Test Cases

Profile: GAVDP

Role: Initiator

Acceptor

For Acceptor role

TC-Identifier	Final Verdict	Date of Test
TP/APP/CON/BV-01-C	Pass	2017-07-29
TP/APP/TRC/BV-02-C	Pass	2017-07-29

3.3 Referenced Documents

Document Name	Version	Issue Date
Generic Audio/Video Distribution Profile	V1.3	24 Jul 2012
Generic Audio/Video Distribution Profile (GAVDP) 1.0 - 1.3 Test Suite Structure (TSS) and Test Purposes (TP)	GAVDP.TS/1.3.1	13 Dec 2016
Profile ICS Proforma for Generic Audio/Video Distribution Profile (GAVDP) 1.0-1.3	GAVDP.ICS/1.3.0	02 July 2013
Test Case Reference List	2016-2	13 Dec 2016

3.4 Additional Information

The test results presented in this test report apply only to the particular implementation under test (IUT) Declared in clause 1.2 of this report, for the functionality described in the relevant Protocol Implementation Statement (PICS), as presented for test on the date(s) declared in the relevant Protocol Implementation Extra Information for testing (PIXIT).

This test report does not constitute or imply, by its own, to be an approval of the product by Qualification Bodies, Certification Bodies or competent Authorities.

This document is only valid if complete; no partial reproduction can be made without written approval of the Test Laboratory.

This test report cannot be used partially or in full publicity and/or promotional purposes without previous written approval of the Test Laboratory.

Abbreviations in this report:

OK, Pass, P	=	passed
F	=	failed
N/A	=	not applicable
NT	=	not tested
EUT	=	equipment under test

Explanation of model designation:

The applicant declared that models E1018BT; E1002; E1003 and E1009 are identical in both design and implementation and differ only by non-functional characteristics. Tested model is E1018BT.

3.5 Test Sample Information

The following sample was used for testing.

Sample No	Serial No/BT address	Date Of Reception
SZCR170726-01	F44EFD410C5D	2017-07-26

3.6 List of Test Equipments

Profile Tuning Suite: PTS v. 7.0.0
GAVDP-ETS v. 10.0.0.70

EZURIO 4.0 PTS Dongle

Annex 1 Profile Implementation Conformance Statement

TABLE OF CONTENTS
Role Declaration
Application Feature
Application Feature

Role Declaration

[\[top \]](#)

Table 0: Profile Version

Item	Capability	System Spec Reference	Status	Support [Yes] or [No]
1	GAVDP 1.0 ?	GAVDP 1.0	C.1	<input type="radio"/> <input checked="" type="radio"/>
2	GAVDP 1.2 ?	GAVDP 1.2	C.1	<input type="radio"/> <input checked="" type="radio"/>
3	GAVDP 1.3 ?	GAVDP 1.3	C.1	<input checked="" type="radio"/> <input type="radio"/>
4	This item is intentionally left blank			<input type="radio"/> <input checked="" type="radio"/>

C.1: Mandatory to support only one Profile version.

Table 0a: This table is intentionally left blank

Item	Capability	System Spec Reference	Status	Support [Yes] or [No]

Table 1: Roles

Item	Capability	System Spec Reference	Status	Support [Yes] or [No]
1	Initiator ?	2.2	C.1	<input type="radio"/> <input checked="" type="radio"/>
2	Acceptor ?	2.2	C.1	<input checked="" type="radio"/> <input type="radio"/>
3	Delay Reporting Initiator	4.1.1	C.2	<input checked="" type="radio"/> <input type="radio"/>
4	Delay Reporting Acceptor	4.1.1	C.2	<input type="radio"/> <input checked="" type="radio"/>

C.1: It is Mandatory to support at least One of the defined roles.

C.2: Optional if 0/3 is supported, otherwise Excluded.

Table 3: GAVDP Procedures (Acceptor)

Prerequisite: (1/2)

Note - Published ICS: Table 13

Item	Capability	System Spec Reference	Status	Support [Yes] or [No]
1	Connection Establishment	4.1.1, 4.1.2 4.1.3	M	<input checked="" type="radio"/> <input type="radio"/>
2	Transfer Control - Suspend	4.1.4	O	<input checked="" type="radio"/> <input type="radio"/>
3	Transfer Control - Change Parameters	4.1.5	O	<input type="radio"/> <input checked="" type="radio"/>
4	Start Streaming	4.1.2	M	<input checked="" type="radio"/> <input type="radio"/>
5	Connection Release	4.1.3	M	<input checked="" type="radio"/> <input type="radio"/>
6	Signaling Control - Abort	4.1.6	M	<input checked="" type="radio"/> <input type="radio"/>
7	Security Control	4.1.7	O	<input checked="" type="radio"/> <input type="radio"/>
8	Delay Reporting	4.1.8	C.1	<input checked="" type="radio"/> <input type="radio"/>

C.1: Optional if 0/3 is supported, otherwise Excluded.

Annex 2 Test plan generated by TPG

Test Cases for GAVDP			
TP/APP/CON/BV-01-C	Verify that the IUT (INT) requests the ACP to establish a stream connection further to an internal event or user action.	GAVDP.TS.1.3.1	ACP IUT:A;INT IUT:A
TP/APP/TRC/BV-02-C	To verify that it is possible to suspend streaming by a user action or an internal event.	GAVDP.TS.1.3.1	ACP IUT:A;INT IUT:A